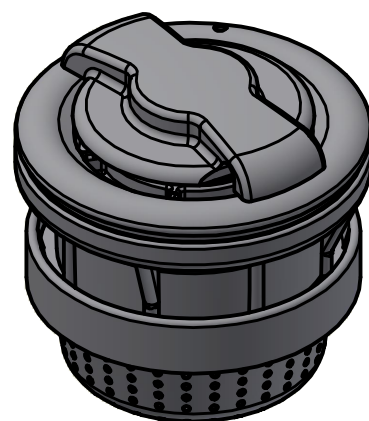


Key for valve

Art. 721 / A942010N



INSTALLATION

1. Hole required for valve installation $\text{Ø}33\pm0.5$ mm.
2. Tightening torque = 30 Nm
The valve assembly should be re-torqued after 12 hours
3. it is user's responsibility to ensure that any fluids used during the installation or operation are compatible with this valve.

APPLICATION STANDARD ISO 15738:2002 (E)

Rev.	Stato Dis. In corso	Per le tolleranze generali del disegno vige la normativa EN-22768-mk		
Progettato G.M.	Controllato	Scala 2 : 1	Data 09/04/2020	Materiale
 SCOPREGA		MINI VALVE		Massa 0,035 kg
		A1312X1N	 Foglio 1 / 1	

VALVES			
VALVE MODEL	ARTICLE NUMBER	COLOUR	OPERATING MODE
MINI VALVE	A131211N	BLACK	PUSH-PUSH
MINI VALVE	A131201N	GREY	PUSH-PUSH